

Baoji Xinlian Titanium Industry Co.,Ltd is one of the leading China titanium torx countersunk head screws manufacturers and suppliers, and also a professional company equipped with factory, welcome to wholesale titanium torx countersunk head screws from us.

**Titanium Torx Countersunk Head Screws**

Material: Pure titanium,Titanium alloy

Grade: Gr1,Gr2,Gr5(Ti6al4v),Gr7,Gr9

Standard: ISO 14581

Specification: M3-M30\*L

Head Type: Countersunk Head

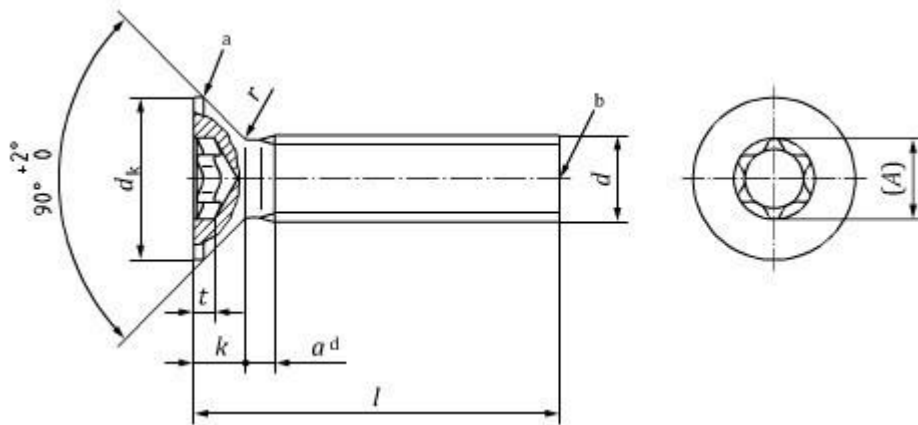
Drive/Recess Type: Torx

Surface Treatment: Polishing,Anodizing, Nitriding

Color: Ti nature,Gold,Blue,Green,Purple,Black,Rainbow

ISO14581

Titanium Hexagon Lobular Socket Countersunk Head Screws



- a) Screws without shoulder for sizes M2 to M4
- b) Fully threaded screws with shoulder for sizes M5 to M10

Unit: mm

Thread	M2	M2.5	M3	M3.5	M4	M5	M6	M8	M10
Pb	0.4	0.45	0.5	0.6	0.7	0.8	1.0	1.25	1.50
b min	25	25	25	38	38	38	38	38	38
dk nom	3.80	4.70	5.50	7.30	8.40	9.30	11.30	15.80	18.30
k nom	1.20	1.50	1.65	2.35	2.70	2.70	3.30	4.65	5.00
r max	0.5	0.6	0.8	0.9	1.0	1.3	1.5	2.0	2.5
A ref	1.75	2.40	2.80	3.35	3.95	4.50	5.60	7.95	8.95
t max	0.64	0.79	0.83	1.32	1.53	1.51	1.78	2.54	2.80
t min	0.51	0.66	0.70	1.16	1.14	1.12	1.39	2.15	2.41